

PROJECT: TB-100 MINI POWER BANK 5000 MAH		SCALE: 1:1
REFINEMENT: PANTONE 313 C + PAPER HANGER OF THE SAME COLOUR	PAPER:	350 G 95-100% BRIGHT ARKTIKA GC-1 CARDBOARD, SOFT-TOUCH FILM COATED, SELECTIVE UV AND EMBOSS COATING
	ADDITIONAL INFO:	
BOX DIMENSIONS: 95 x 30 x 83mm (width x depth x height) + paper hanger		



FOREVER
MOBILE

built-in
CABLE



LESS PLASTIC
packaging

22.5W



charging



fast charging
protocols



2x USB-C
outputs



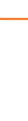
compact
size



5000
mAh
capacity

Producer/Producent: TelForceOne S.A.
Krakowska 119, 50-428 Wrocław, Poland
Produced in PRC/Wyprodukowano w Chinach

Model: MTB-100



ID: index GSM182135



FOREVER
MOBILE

rubber cap
protecting
USB-C port

USB-C
in/out



charge level
display

built-in
USB-C cable

Specification/Specyfikacja



Charging USB-C Input/Zasilanie wejście USB-C 5V=2.4A, 9V=2A, 12V=1.5A
USB-C Output (built-in cable)/Wyjście USB-C (przewód) 5V=3A(15W), 9V=2A(18W), 12V=1.5A(18W)
USB-C Output (built-in)/Wyjście USB-C (wbudowane) PD 5V=3A(15W), 9V=2.22A(20W), 12V=1.67A(20W)
PPS 3.3-11V=2A (2.2W)
SSCP 3.4-10V=2.25A (2.2.5W)
Charging protocols/Protokoły ładowania USB-C PD, PPS, APPLE, VOOO, QC2.0, QC3.0, AFC, FCP, SCP, SSCP

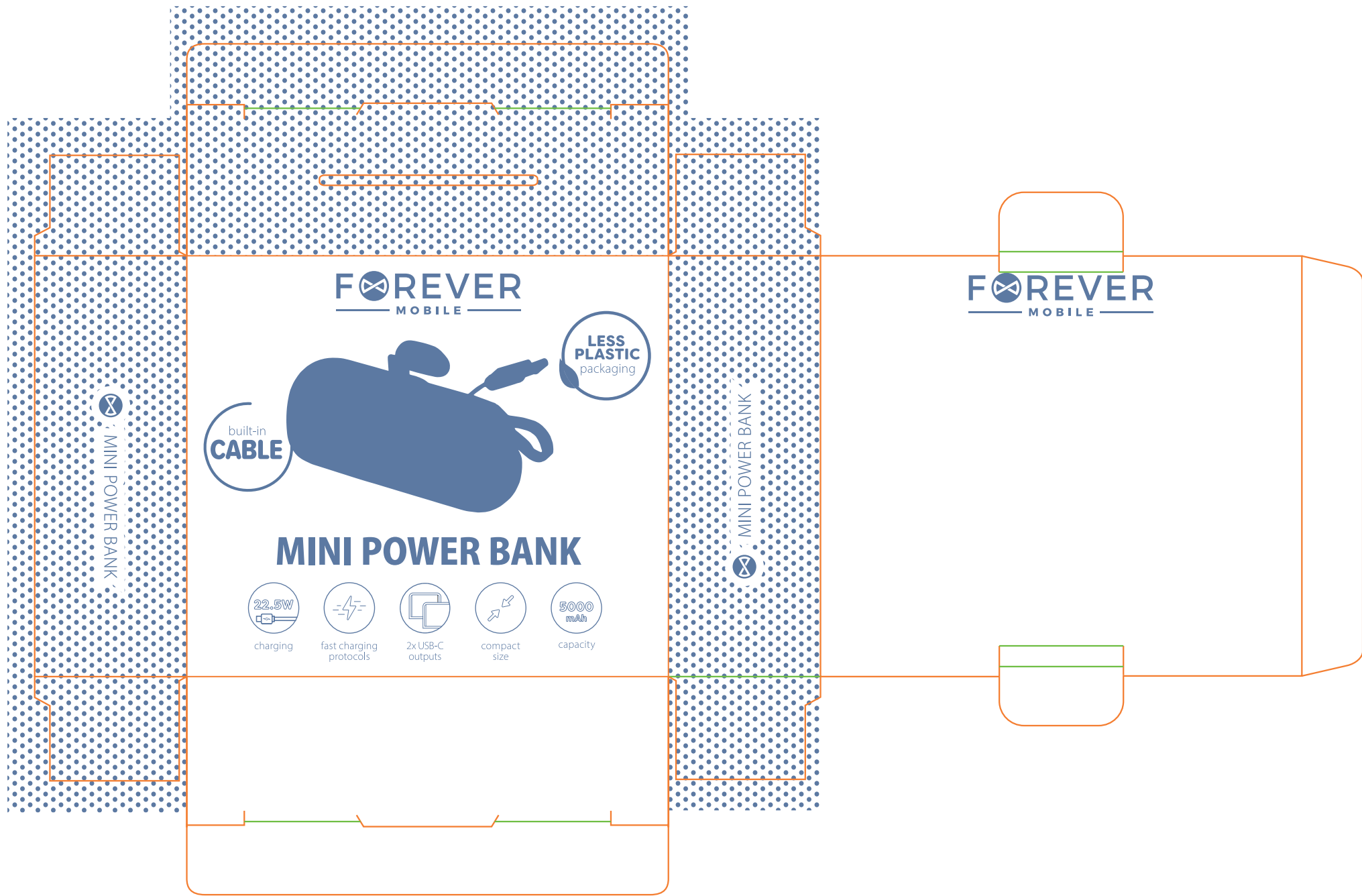
EN Compact mini travel battery PL Kompaktowa mini bateria przenośna BG Коmпактна мини батерия за пътуване CZ Kompaktní mini cestovní baterie
DE Kompakter Mini-Reiseakku DE Kompakt mini reisebatterii EE Kompaktne mini reisaku ES Mini batería de viaje compacta FR Mini batterie de voyage compacte
GR Συμπαγής, εύλητη μεταφορά τοφόδο HU Kompakt mini utazási akkumulátor IT Mini batteria da viaggio compatta LT Kompaktiška mini kelionėse baterija
LV Kompakti mini ceļojumu akumulators NL Compacte mini-reisaccu RO Mini baterie de călătorie compactă RU Коmпактный мини-батарея для путешествий
SE Kompakt mini reisebatteri SI Kompaktna mini potovalna baterija SK Kompaktná mini cestovní bateria UA Коmпактний міні-дорожній акумулятор


Set contains/Zestaw zawiera:
travel battery, manual/bateria przenośna, instrukcja



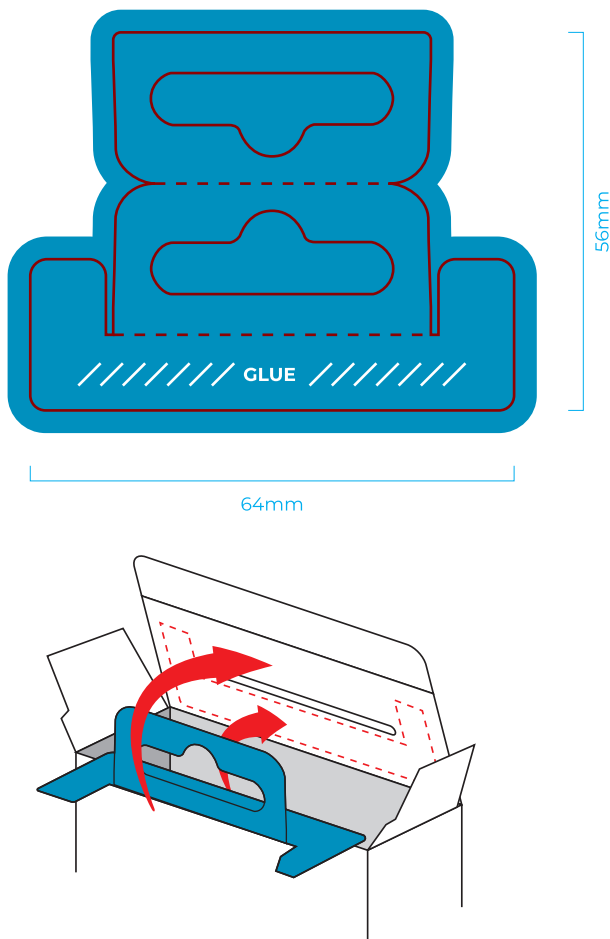
forever.eu

PROJECT:	TB-100 MINI POWER BANK	SCALE:	1:1	<p>EXAMPLE OF UV COATING:</p> 
REFINEMENT:		PAPER:	350 G 95-100% BRIGHT ARKTIKA GC-1 CARDBOARD, SOFT-TOUCH FILM COATED, SELECTIVE UV AND EMBOSS COATING	
 UV COATING		ADDITIONAL INFO:		
BOX DIMENSIONS:	95 x 30 x 83mm (width x depth x height) + paper hanger			



ELEMENTS:	PAPER HANGER		
REFINEMENT:	 PANTONE 313 C	SCALE:	1:1

Material: **HEAVY WEIGHT PAPER (450-500g)**



PRINTS:	 PANTONE COOL GRAY 2C	 LASER PRINT	SCALE:	1:1
REFINEMENT:				

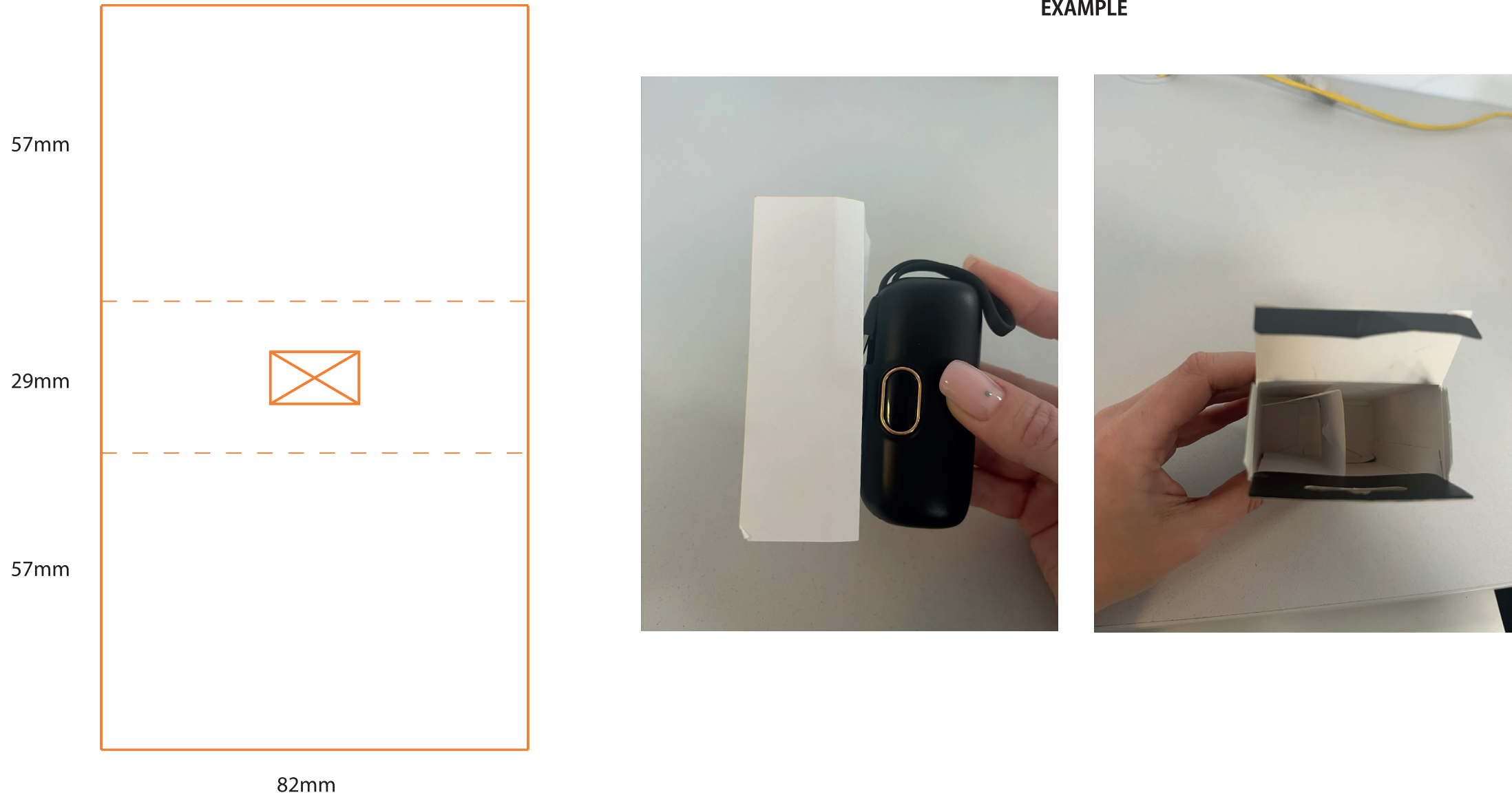



22.5W 10mm
29mm
FOREVER

60mm
12mm

Producer/Producent: TelforceOne S.A. Krakowska 119, 50-428 Wrocław, Poland.
Produced in PRC. Wyprodukowane w Chinach. Charging USB-C Input/Zasilanie
wejście USB-C: 5V-2.4A, 9V-2A, 12V-1.5A. USB-C Input (built-in
cable)/Wyjście USB-C (przewód): 5V-2.4A/10W, 9V-2A/18W, 12V-1.5A/18W
USB-C Output (built-in)/Wyjście USB-C (wbudowane): PD 5V-3A(15W), 9V-
2.3A(20W), 12V-1.67A(20W) PPS: 3.3V(1)-3A(2W) SSCP: 3.4-10V-2.2A
(22.5W) Charging protocols/Protokoły ładowania USB-C: PD, PPS, APPLE
VOOC, QC2.0, QC3.0, AFC, FCP, SCP, SSCP. Id:XXXXXX Model: M18-101

PRINTS:	PRODUCT POSITIONER (PAPER)		
PAPER:	CARDBOARD 350g	SCALE:	1:1



57mm
29mm
57mm
82mm

EXAMPLE