

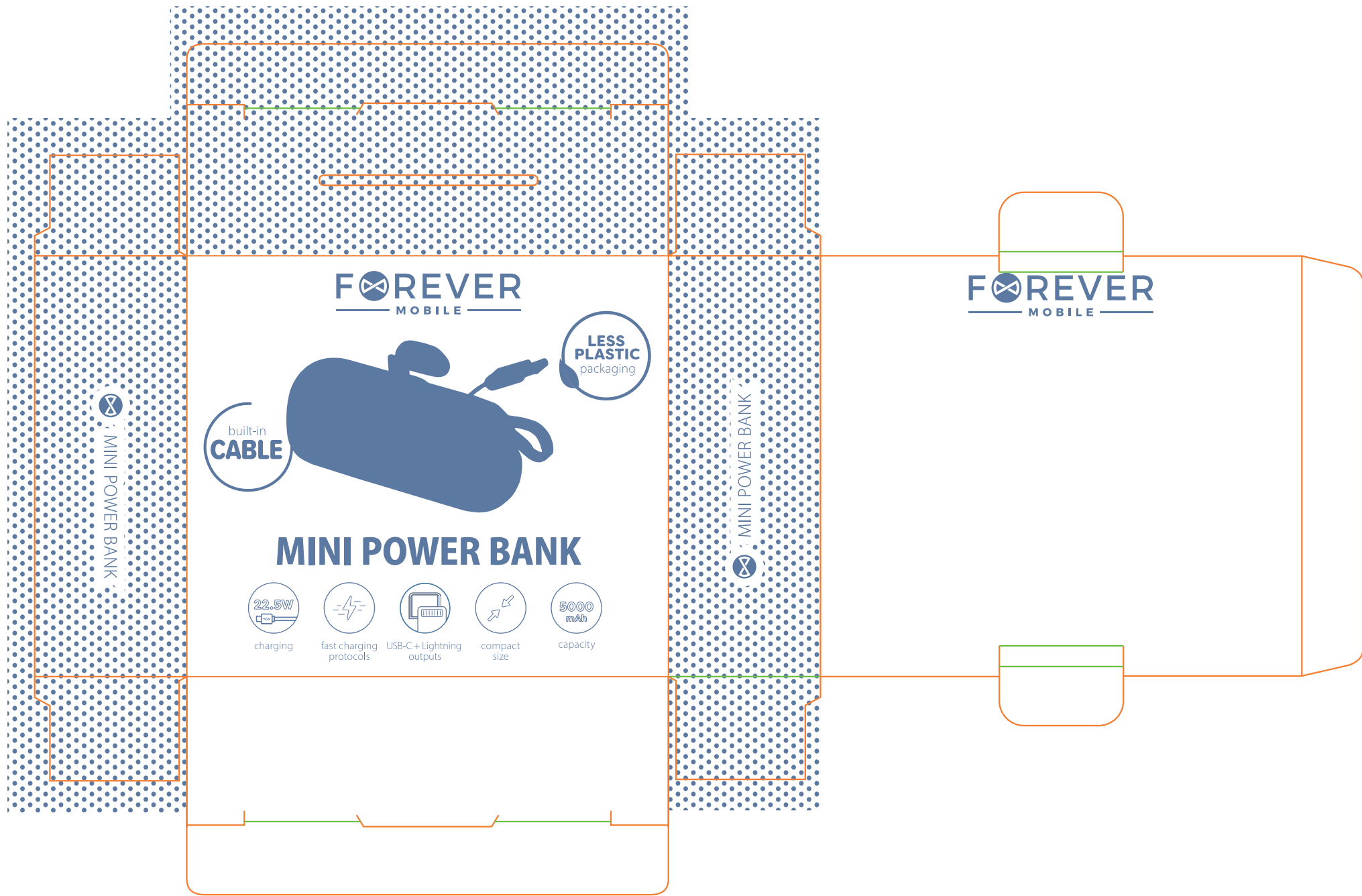



<b>PROJECT:</b> TB-100 MINI POWER BANK 5000 MAH		<b>SCALE:</b> 1:1
<b>REFINEMENT:</b>  PANTONE 313 C + PAPER HANGER OF THE SAME COLOUR	<b>PAPER:</b>	350 G 95-100% BRIGHT ARKTIKA GC-1 CARDBOARD, SOFT-TOUCH FILM COATED, SELECTIVE UV AND EMBOSS COATING
	<b>ADDITIONAL INFO:</b>	
<b>BOX DIMENSIONS:</b> 95 x 30 x 83mm (width x depth x height) + paper hanger		

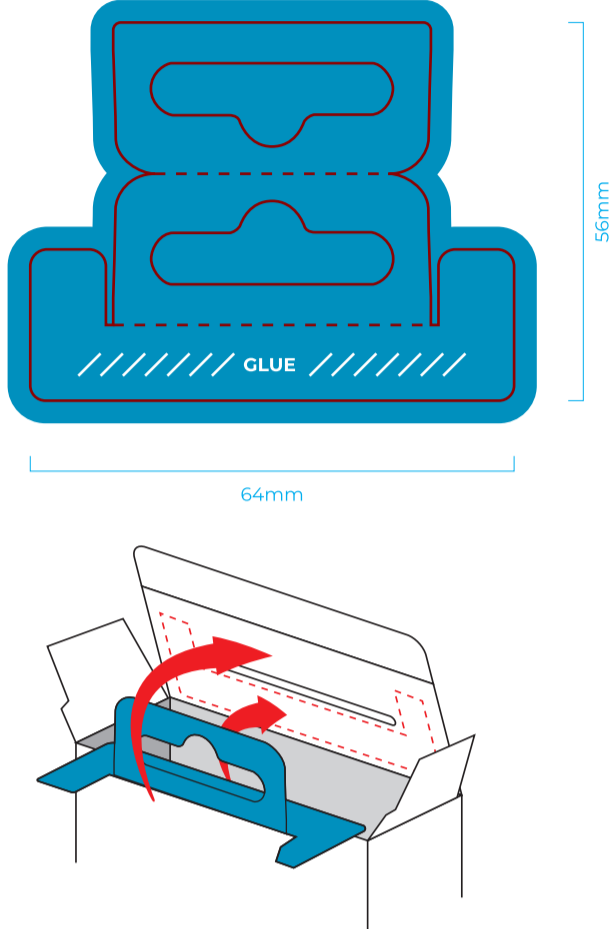


<b>PROJECT:</b>	TB-100 MINI POWER BANK	<b>SCALE:</b>	1:1	<p>EXAMPLE OF <b>UV COATING:</b></p> 
<b>REFINEMENT:</b>		<b>PAPER:</b>	350 G 95-100% BRIGHT ARKTIKA GC-1 CARDBOARD, SOFT-TOUCH FILM COATED, SELECTIVE UV AND EMBOSS COATING	
 UV COATING		<b>ADDITIONAL INFO:</b>		
<b>BOX DIMENSIONS:</b>	95 x 30 x 83mm (width x depth x height) + paper hanger			



ELEMENTS:	PAPER HANGER		
REFINEMENT:	 PANTONE 313 C	SCALE:	1:1

Material: **HEAVY WEIGHT PAPER (450-500g)**



PRINTS:	 PANTONE COOL GRAY 2C	 LASER PRINT	SCALE:	1:1	
REFINEMENT:				SCALE:	1:1

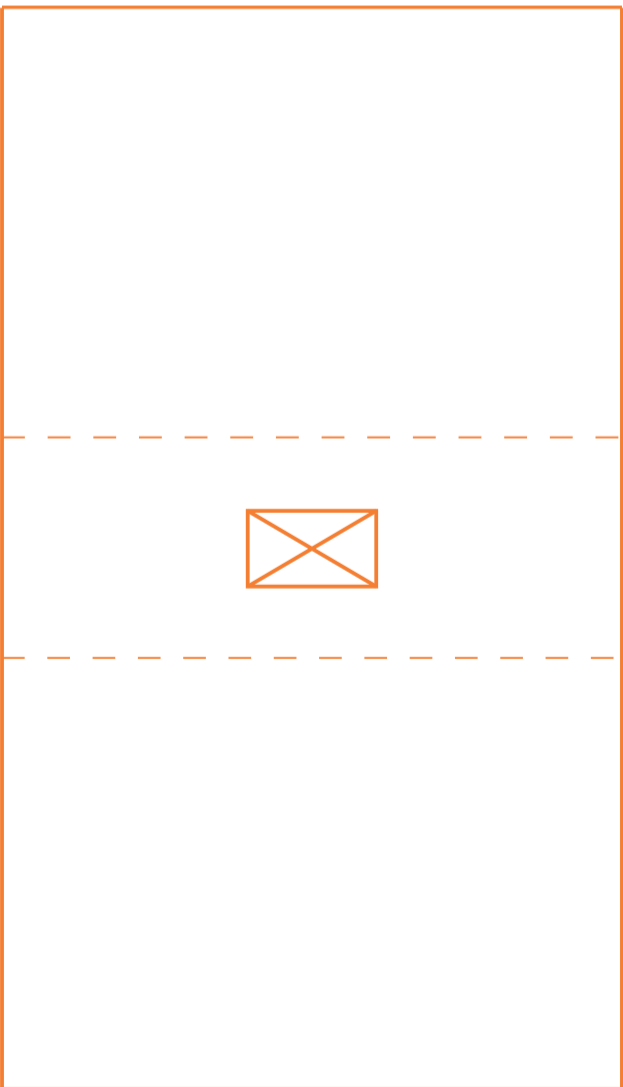



22.5W 10mm  
29mm  
60mm

12mm

Producer/Producent: TelforceOne S.A. Krakowska 119, 50-428 Wrocław, Poland.  
Produced in PRC. Wyprodukowane w Chinach. Charging USB-C Input/Zasilanie  
wejście USB-C: 5V-2.4A, 9V-2A, 12V-1.5A USB-C Input (built-in  
cable)/Wyjście USB-C (przewód): 5V-2A(10W), 9V-2A(18W), 12V-1.5A(18W)  
Lightning Output (built-in)/Wyjście Lightning (wbudowane):  
5V-2.4A(10W) PPS, 3.3V(1W)-2A(2W) SSCP, 3.4-3.6V-2.5A (22.5W) Charging  
protocols/Protokoły ładowania USB-C PD, PPS, APPLE, VOOC, QC2.0, QC3.0,  
AFC, FCP, SCP, SSCP. Id:XXXXXX Model: M19-101

PRINTS:	PRODUCT POSITIONER (PAPER)		
PAPER:	CARDBOARD 350g	SCALE:	1:1



57mm  
29mm  
57mm  
82mm

EXAMPLE

